

LEGRANDE REVERSIBLE

LEGRANDE 3W SINK



INCLUDED ACCESSORIES



6020L

OPTIONAL ACCESSORIES



SCBL



DGL2



DR006



DTA23

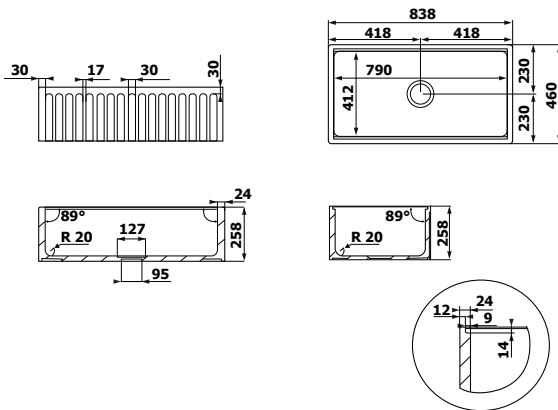


6025-B / 6025-S /
6025-W / 6025-MB



6020L-CO /
6020L-G

DIMENSIONS



Due to the Nature of Earthenware Products Dimensions are Approximate +/- .5 Inch

SPECIFICATIONS

Description	Large Single Bowl Fireclay Sink, Built In (refer to cabinet maker)
Overall Sink Size	L838mm x W460mm x D258mm
Bowl Dimensions	L790mm x W412mm x D236mm
Drainer Length	N/A
Water Capacity	77 Litres
Technic	Fireclay Sink
Material	Fireclay

INSTALLATION

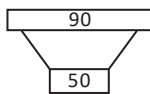
Template	N/A
Tap Holes	NTH

SURFACE FINISH



SILKY SMOOTH

WASTE KIT



MATERIAL



FIRECLAY

PLUMBING

Waste Fittings	1 x (90mm x 2") basket waste included
Overflow	No

INSTALLATION OPTIONS



BUILT IN
(refer to cabinet maker)

PACKAGING

Gross Weight	41kg
Carton Size	770mm x 260mm x 460mm
Pack QTY	1

AVAILABLE IN



LEGRANDE-3W
(WHITE)