

# LOUIS II

## LOUIS 2W SINK



### INCLUDED ACCESSORIES



6020L

### OPTIONAL ACCESSORIES



DR006



DR007

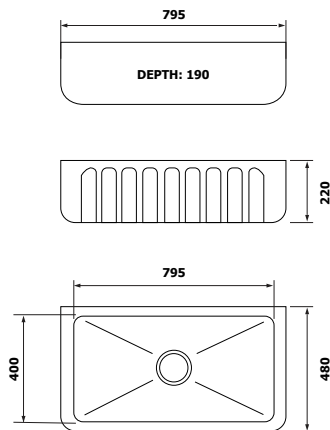


6025-B / 6025-S /  
6025-W / 6025-MB



6020L-CO /  
6020L-G

### DIMENSIONS



Due to the Nature of Earthenware Products Dimensions are Approximate +/- .5 Inch

### SPECIFICATIONS

Description	Large Single Bowl Fireclay Sink, Built In (refer to cabinet maker)
Overall Sink Size	L795mm x W480mm x D220mm
Bowl Dimensions	L715mm x W400mm x D190mm
Drainer Length	N/A
Water Capacity	50 Litres
Technic	Fireclay Sink
Material	Fireclay

### INSTALLATION

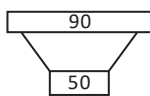
Template	N/A
Tap Holes	NTH

### SURFACE FINISH



SILKY SMOOTH

### WASTE KIT



### MATERIAL



FIRECLAY

### PLUMBING

Waste Fittings	1 x (90mm x 2") basket waste included
Overflow	No

### INSTALLATION OPTIONS



BUILT IN  
(refer to cabinet maker)

### PACKAGING

Gross Weight	29.66kg
Carton Size	850mm x 580mm x 280mm
Pack QTY	1

### AVAILABLE IN



LOUIS-2W  
(WHITE)