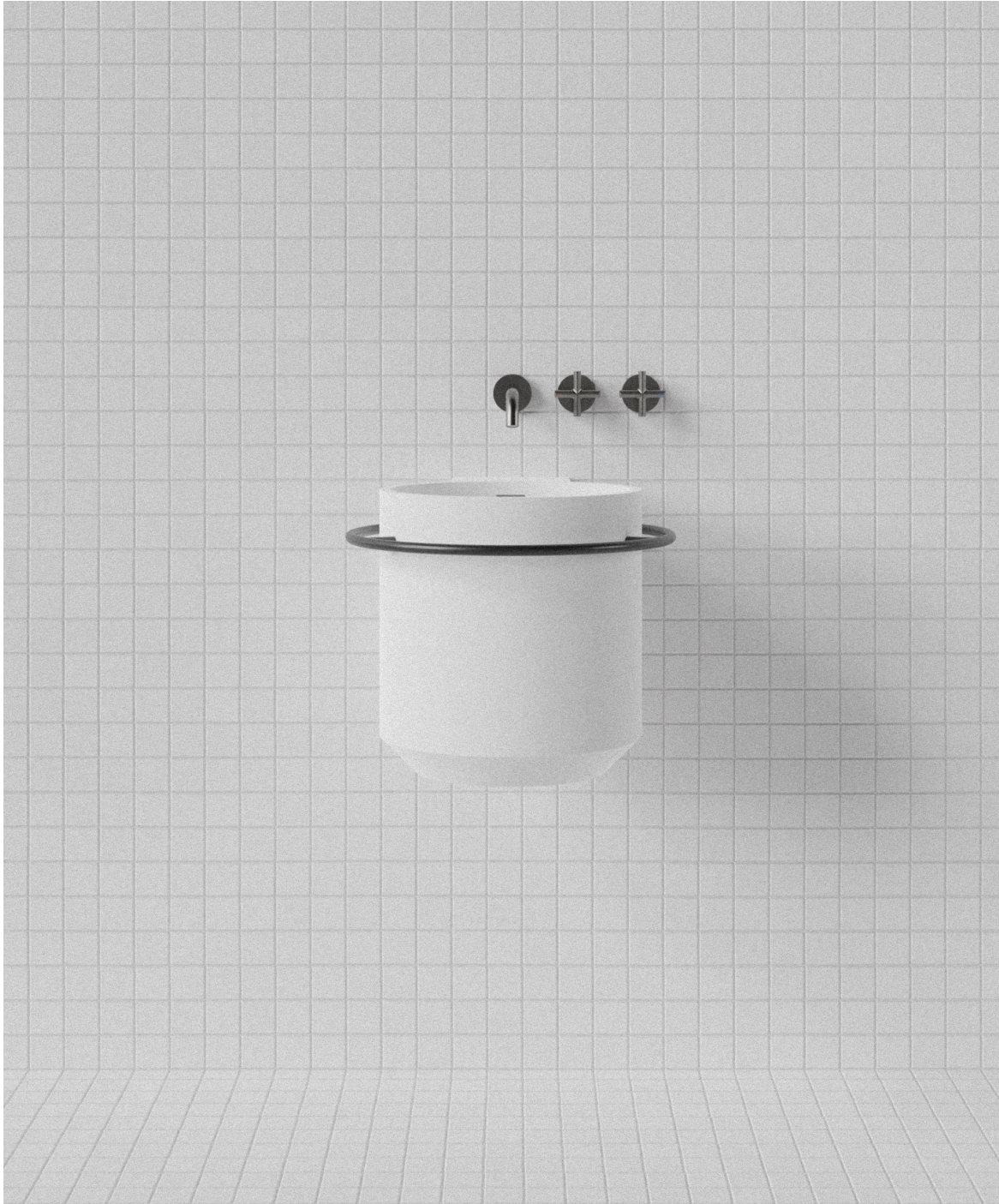


# MAINS



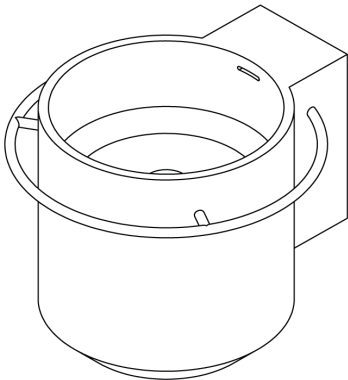
**Halo Wall Basin by Thomas Coward**

**M.W.C.**

# Halo Wall Basin

HAL004

**WxDxH:**  
470 x 510 x 400 \*  
**Material:**  
Matt Solid Surface  
**Colour:**  
Matt White  
**Product:**  
Wall Basin  
**Design:**  
Thomas Coward



**Solid Surface care:**  
Clean with a soapy sponge, followed by a rinse. For stubborn stains such as lime scale or soap build up use a mild abrasive cleaner like Gumption® paste, Jif® cream or Ajax® cream or powder – use with a soft damp cloth in wide circular motions.

Mains Water Co. has detailed, to the best of its ability, the most

approximate measurement possible for each product given the method of manufacturing used.

Due to varying manufacturing methods, the dimensions illustrated here are nominal and subject to change without notice.

\* All sizes nominal. Basins +/- 5mm. Baths +/- 10mm.