

PHILIPPE-2

PHILIPPE II FIRECLAY



INCLUDED ACCESSORIES



6020L

OPTIONAL ACCESSORIES



DR006



DR007

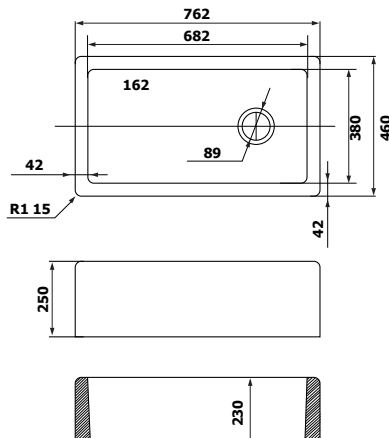


6025-B / 6025-S /
6025-W / 6025-MB



6020L-CO /
6020L-G

DIMENSIONS



Due to the Nature of Earthenware Products Dimensions are Approximate +/- .5 Inch

SPECIFICATIONS

Description	Single Bowl Sink Built In (refer to cabinet maker)
Overall Sink Size	L762mm x W460mm x D250mm
Bowl Dimensions	L682mm x W380mm x D230mm
Bowl Radius	15mm
Water Capacity	50 Litres
Technic	Fireclay Sink
Material	Fireclay

INSTALLATION

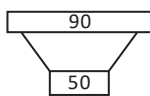
Template	N/A
Min Cabinet Size	250mm
Tap Holes	NTH

SURFACE FINISH



SILKY SMOOTH

WASTE KIT



MATERIAL



FIRECLAY

PLUMBING

Waste Fittings	1 x (90mm x 2") basket waste included
Overflow	No

INSTALLATION OPTIONS



BUILT IN
(refer to cabinet maker)

PACKAGING

Gross Weight	34kg
Carton Size	850mm x 580mm x 280mm
Pack QTY	1

AVAILABLE IN



PHILIPPE-2W
(WHITE)