

**ROBERT
GORDON**

INTERIORS

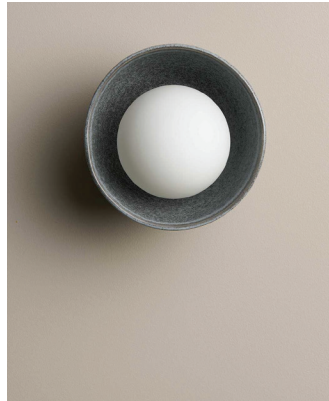
BOWL WALL SCONCE

Specification Sheet

Sweet and compact, our bowl sconce is ideal for intimate spaces. Each dish is crafted by hand in our Melbourne workshop and supplied with a wall fixture and LED globe.



225770 COAST



225791 STORM



225719 SALTBUSH



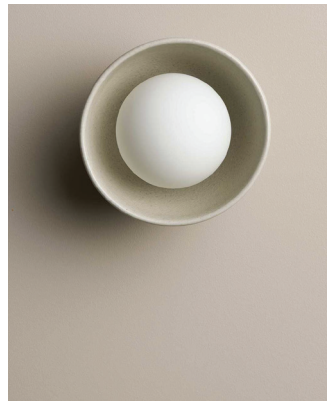
225725 STONE



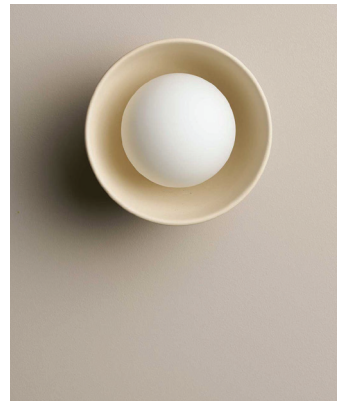
225702 WHITE OCHRE



225708 POPPYSEED



225727 SHALE



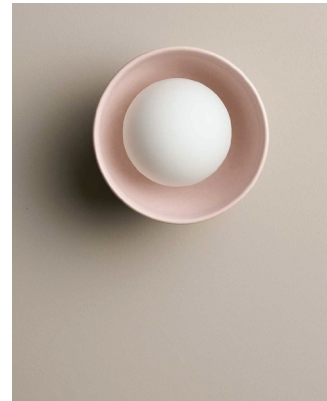
225761 BONE



225706 RIVERGUM



22570G OLIVE



225703 ROSE QUARTZ
(ONLINE EXCLUSIVE)

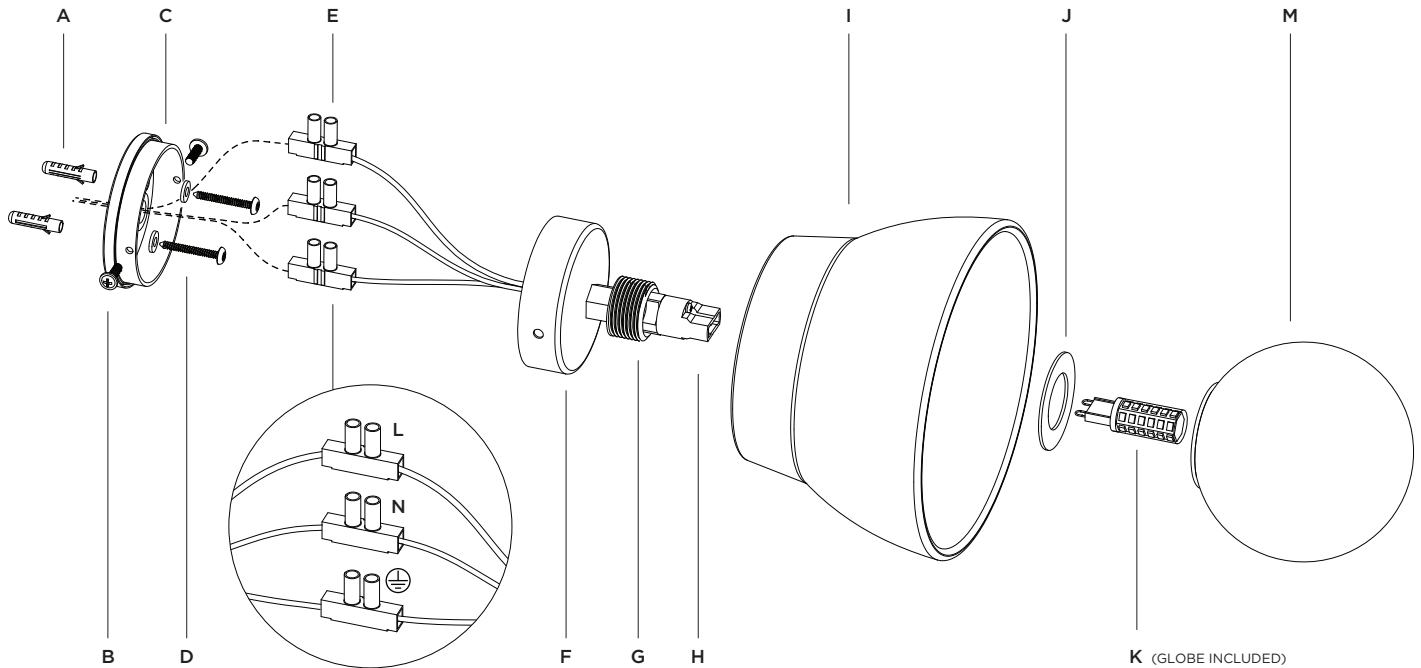
Due to the nature of clay and our manufacturing process, variations on shade, colour, and size are a natural feature of ceramic product fired at high temperature.

ROBERT GORDON

INTERIORS

Thank you for purchasing high quality Australian made product, proudly designed and crafted by Robert Gordon Pottery. All our ceramic lighting products are made from high fired stoneware and adhere to all Australian standards and requirements.

To ensure correct function and safety, please read and follow all instructions carefully before assembly. Keep this document handy for future reference.



Installation instructions

1. Remove all packaging material from lighting product. Be carefully not to discard any small parts such as screws that may be hidden within the boxing.
2. Use the mounting bracket (C) as a template to mark the screw positions on wall.
3. When happy with position, install the mounting bracket (C) onto wall by mounting screws (D), using wall anchors (A) if required.
4. Make sure main supply is turned off. Connect the mains supply wire to the terminal block (E). Ensure the wires are secure and that no bare wires are exposed.
5. Install the luminaire (F) onto the mounting bracket (C) using the fixing screws (B) provided.
6. Install the LED globe (J) into the lamp holder (H) with a tissue or clean gloves. Be sure not to touch with bare hands, as this could shorten the life of the globe.
7. Carefully position ceramic shade (I) over threaded ring (G) until the piece makes contact with wall.
8. Whilst holding ceramic shade (I) in place, install washer (J), then glass ball (M) onto the threaded ring (G) by turning clockwise. Turn until all pieces are secure but do not over-tighten as this may cause either ceramic or glass pieces to break.

Specifications

SKU # | Product: 2257 | Small Bowl Sconce
Dimensions: Dia:160mm H:95mm (±5mm)
Weight: 1.15kg
Voltage: 220-240V AC 50Hz
Globe: Fitting includes 3W LED G9 globe (non-dimmable)
Certification #: WTF21F04040508R2L
IP Rating: IP44

ROBERT GORDON

INTERIORS

Warranty

- This product is covered by a 12 month warranty, from date of purchase..
Warranty does not begin from date of installation.
- This product must be installed by a licensed electrician. Warranty will be void if this requirement is not met.
- Retain proof of purchase and evidence of installation by a licensed electrician.
- Warranty will be void if there is any damage to product, due to improper usage or modification to fitting.
- Failure to follow the instructions in this manual may increase the risk of damage or injury and will void warranty.
- If luminaire is damaged, it shall be exclusively replaced by the manufacturer or his service agent or a similar qualified person in order to avoid a hazard.

THIS ITEM MUST BE INSTALLED BY A LICENSED ELECTRICIAN

Installation requirements

- Product must be installed by a qualified electrician.
- All wiring and installation of the light fitting must adhere to local and national wiring regulations.
for eg. AS/NZS 3000:2007/Amendment 2:2012 Electrical installations.
- Do not exceed the maximum wattage rating.
- Ensure a suitable location for installation. This product is intended for indoor use only. Do not install in front of air flow vents or systems and areas compromised by moisture or dampness. If installation area is prone to moisture an appropriate exhaust fan may be required. Damage caused by corrosion is not a product fault, and as such not covered under product warranty.
- Check entire product before installation for any sign of damage. Do not install product if there appears to be signs of damage in any way.
- Ensure before any work is undertaken that the power is switched OFF at mains.

Safety tips / Maintenance

- Always ensure the power is OFF and the light fitting has cooled down before carrying out any maintenance or cleaning on globe or pendant.
- To avoid damage to fitting, ensure the power lead and screws are secure before connecting the power.
- Ensure that the fitting does not come in contact with corrosive chemicals, etc.
- To clean bowl sconce, wipe with a damp cloth making sure power is OFF.

**Designed and made in Australia by
Robert Gordon Pottery**

For more information on this product, please contact us:

03 5941 3144

sales@robertgordonaustralia.com